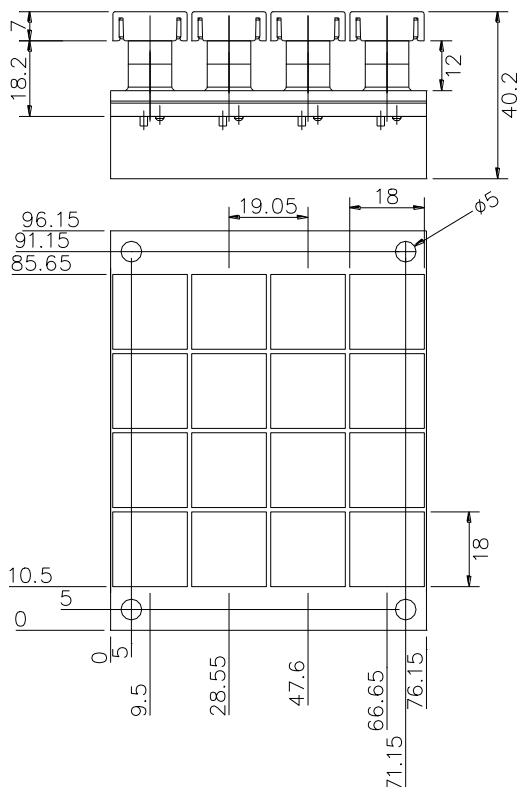




R&R industrial keyboard IKL4-104 – for rough environment -

Case	Panel mount design
Layout	4 x 4 keys
keys	R&R illuminated keys LT4 or LT4FM 18 x 18 mm keycap Polycarbonat colourless, red, yellow or green UV-stabilized illumination mikro bulb lamps T1 silikon key with 1,5 mm travel and 2 N actuation force lifetime > 3 millionen strokes inscription with inlays



dimensions (H x W x D) approx. 96,2 x 76,2 x 40 mm

Interface one common pin and one pin for every k
maximum load 24V / 500 mA
female 25 pins Sub-D
one common pin and one pin for every
male 25 pins Sub-D plug

Power supply 24 V DC