



R&R industry quality keyboard IKV5-811-1 – for harsh environment

Front panel	Aluminium colourless anodized
Layout	16 pushbuttons block of numbers with 6 function keys
pushbutton	R&R pushbutton V5 DNR 4715 – travel 1.2mm, actuation force 1,5N DNR 3374 3mm, 1N DNR 4045 3mm, 3N label: aluminium black anodized, engraved

R&R industry quality keyboard IKV5-811-1

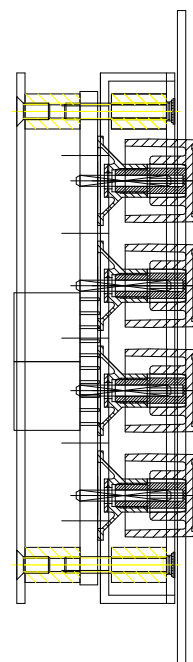
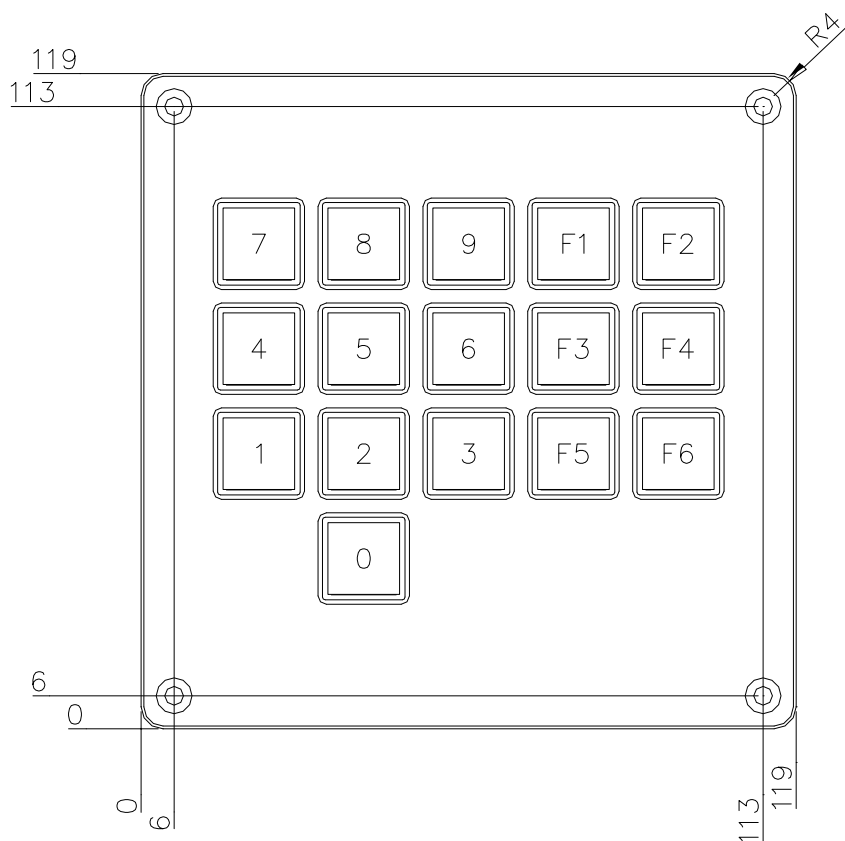
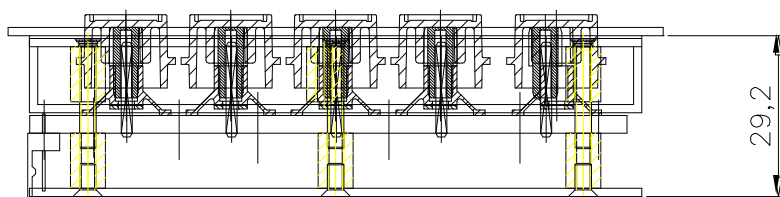
Ob der Eck 4· D-78148 Gütenbach · Telefon (07723) 9186-0 · Telefax (07723)9186-30

[DNR11701_E.DOC REV 01 – 14.09.2002](#)

WWW.RURGMBH.DE INFO@RURGMBH.DE

dimensions

(B x H) 119 x 119 x 30 mm plus connector



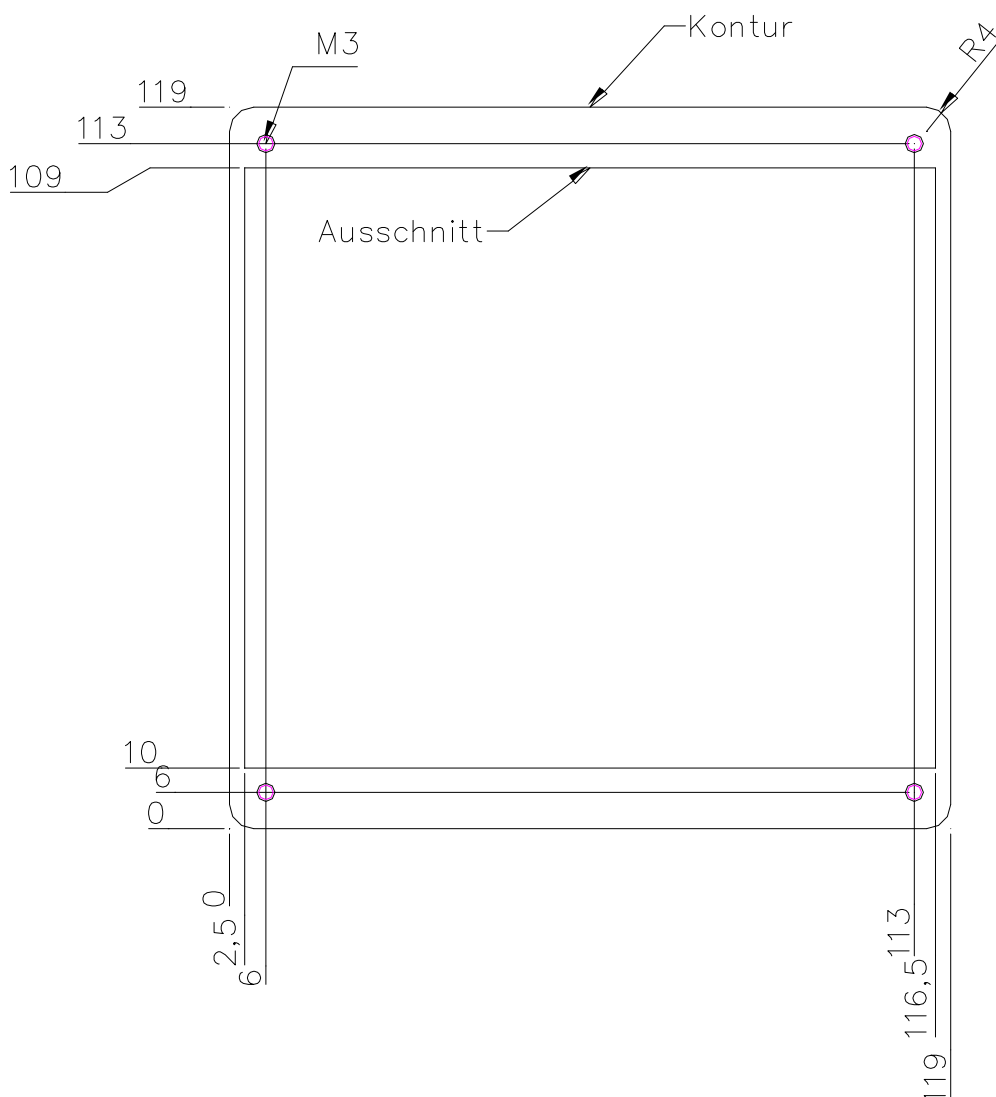
R&R industry quality keyboard IKV5-811-1

Ob der Eck 4 · D-78148 Gütenbach · Telefon (07723) 9186-0 · Telefax (07723)9186-30

[DNR11701_E.DOC REV 01 – 14.09.2002](#)

WWW.RURGMBH.DE INFO@RURGMBH.DE

Cut-out



interface	Parallel interface 4(5)bit with strobe Output 0V / 24V
connector	10 pin terminal block
Power supply	24 Volt DC , 15V up to 30VDC
Protection class	Front side only IP65

R&R industry quality keyboard IKV5-811-1

Ob der Eck 4· D-78148 Gütenbach · Telefon (07723) 9186-0 · Telefax (07723)9186-30

[DNR11701_E.DOC REV 01 – 14.09.2002](#)

WWW.RURGMBH.DE INFO@RURGMBH.DE

Pin assignment

Pin	Signal
1	Strobe
2	E
3	D
4	C
5	B
6	A
7	GND
8	GND
9	GND
10	+24V

Power supply must be between 15V – 30V DC
 Each Output through 1200 Ohm resistor.
 All outputs are permanently short circuit proof.

Code table

key	E	D	C	B	A	Strobe
0	0	0	0	0	0	*1
1	0	0	0	0	1	*1
2	0	0	0	1	0	*1
3	0	0	0	1	1	*1
4	0	0	1	0	0	*1
5	0	0	1	0	1	*1
6	0	0	1	1	0	*1
7	0	0	1	1	1	*1
8	0	1	0	0	0	*1
9	0	1	0	0	1	*1
F1	0	1	0	1	0	*1
F2	0	1	0	1	1	*1
F3	0	1	1	0	0	*1
F4	0	1	1	0	1	*1
F5	0	1	1	1	0	*1
F6	0	1	1	1	1	*1

Strobe signal is high as long as the pushbutton is active.

OUTPUT - E is always 0.